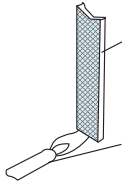
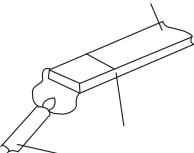
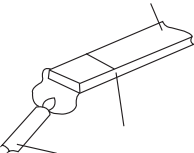


GB/14048.1—200

/		
UL 94 V-0 - 10 - 50 -		-
		- 20±2mm
UL 94 V-1 - 30 - 250 -		- 10
		- 10
UL 94 V-2 - 30 - 250 -	DIN VDE 0 304 FV	-10 125x 13x 3)mm
		- 0.8, 1.6, 6.4mm
UL 94 HB - <102mm - 38.1mm/		- 25mm
		- 30
		-3 127x 12.7x 3.2mm
	ASTMD 635	

mm		Nm		
2.5	2.8	0.2	0.4	0.4
3.0	2.8< 3.0	0.25	0.5	0.5
—	3.0< 3.2	0.3	0.6	0.6
3.5	3.2< 3.6	0.4	0.8	0.8
	3.6< 4.1	0.7	1.2	1.2
4.5	4.1< 4.7	0.8	1.8	1.8
5	4.7< 5.3	0.8	2.0	2.0
6	5.3< 6.0	1.2	2.5	3.0
8	6.0< 8.0	2.5	3.5	6.0
10	8.0< 10.0	—	4.0	10.0
12	10< 12	—	—	14.0
14	12< 15	—	—	19.0

IN V DE 011 989- 0

V DIN IEC 38	V	V			
	50	330	500	800	1500
	100	500	800	1500	2500
	150	800	1500	2500	4000
230/400 277/4801	300	1500	2500	4000	6000
400/600	600	2500	4000	6000	8000
1000	1000	4000	6000	8000	12000
1	500V				

EC947- 7- 1:1989/EN 60947- 7- 1:199

[mm ²]	0.2	0.5	0.75	1	1.5	2.5	4	6	10	16
[A]	4	6	9	13.5	17.5	24	32	41	57	76
[mm ²]	25	35	50	70	95	120	150	185	240	300
[A]	101	125	150	192	232	269	309	353	415	520

/	PA	PA-F	PBT	PC	PC-F	ABS	PVC
RT1**	105	105	105	125	125	80	50
()	-40	-40	-40	-40	-40	-40	-15
IEC 60 234-1/DIN VDE 0 303-21	kv/cm	400	400	>300		850	
	CT1...M	550	250	225	175	200	
IEC 60112/DIN VDE 0 303-1	Ct1...	600	400	225	175	600	600
IEC 60 093/VDE 0 303 Part30/IEC 60 167/VDE 0 303 part31	cm	102 ²	102 ²	102 ⁶	102 ⁶	102 ⁴	102 ⁴
IEC 60 093/VDE 0 303 Part30/IEC 60 167/VDE 0 303 part31		102 ⁰	102 ²	102 ³	102 ⁴		102 ³
I UL 94	V2-V0	HB	V0	V2-V0	V0	HB	V0
* UL 746B/ANSI 746B (elec.)			**				